

KDW Engineering

By KDW

Date 13 June 07

P.O. BOX 282
NEODESHA, KANSAS 66757

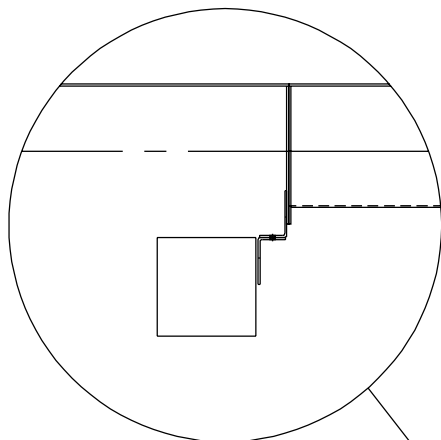
Customer NEW EQUIPMENT

Job. No. CE0001 Location NEODESHA, KANSAS

Sht. No. 2 of 4

Support Structure for Bulk Storage

Structure Layout

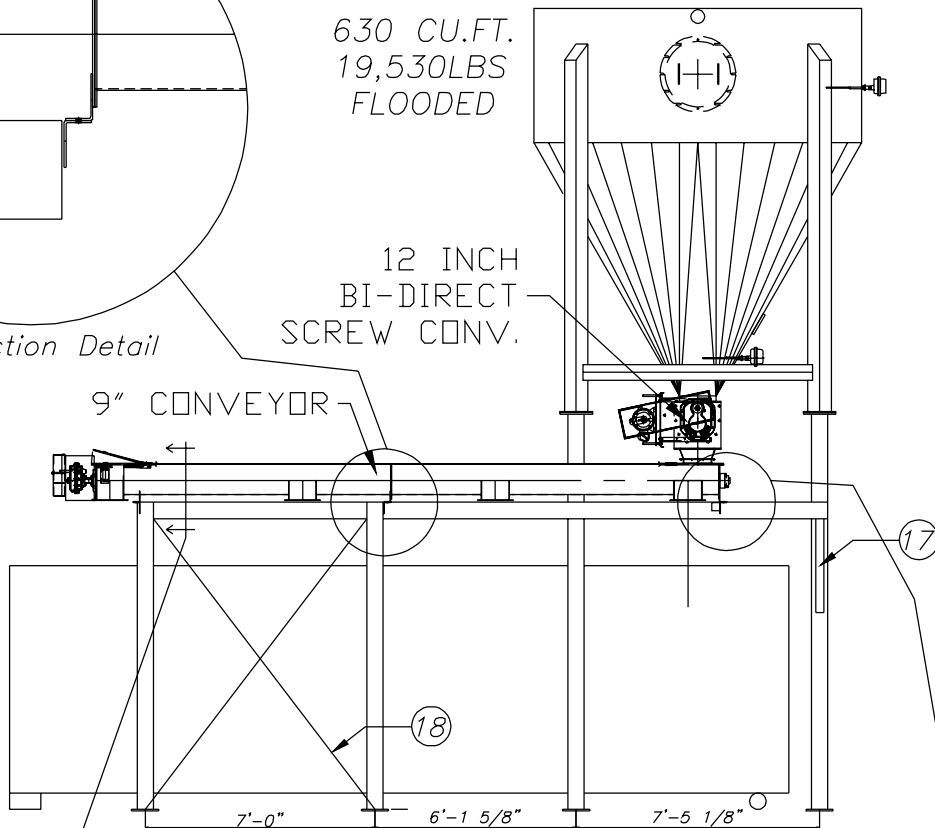


Connection Detail

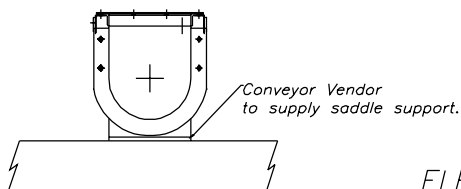
630 CU.FT.
19,530LBS
FLOODED

12 INCH
BI-DIRECT
SCREW CONV.

9" CONVEYOR

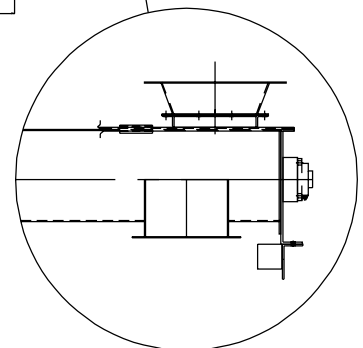


BRACING



Conveyor Vendor
to supply saddle support.

ELEVATION VIEW
SOUTH ELEVATION LOOKING NORTH



Connection Detail